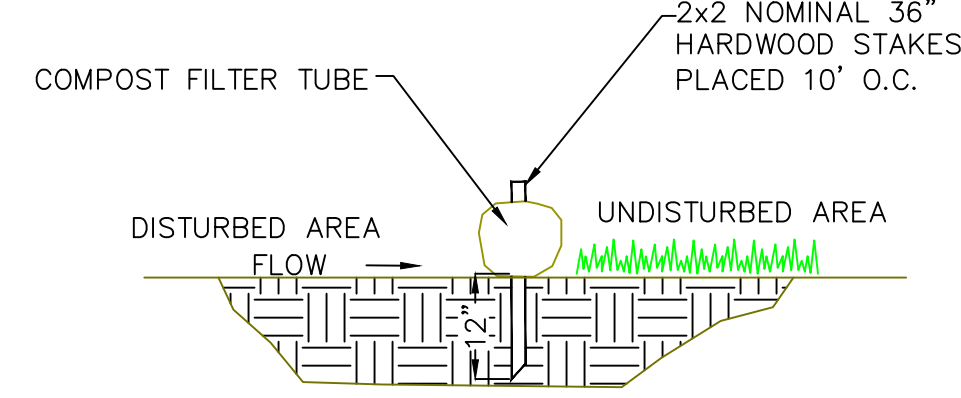
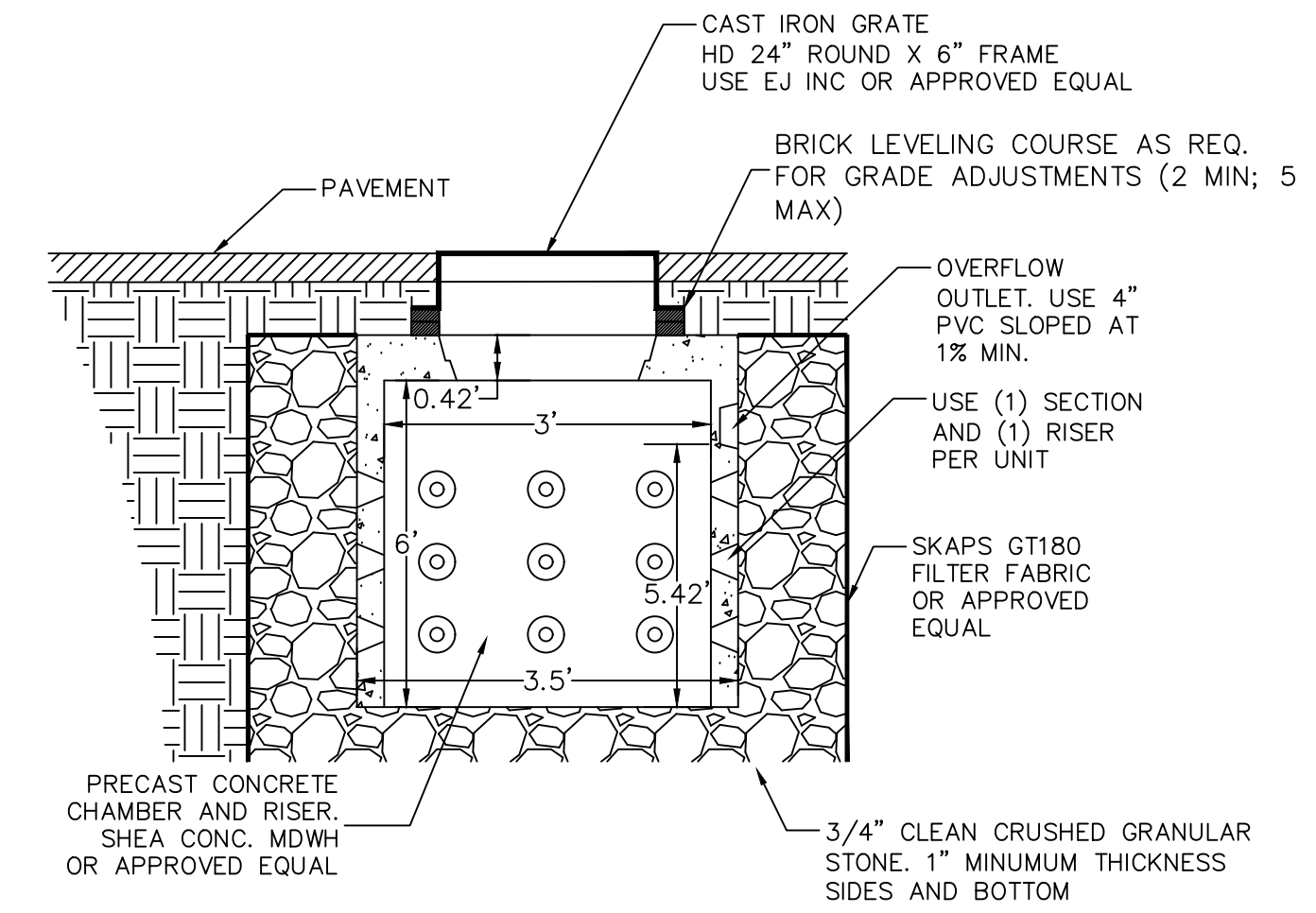


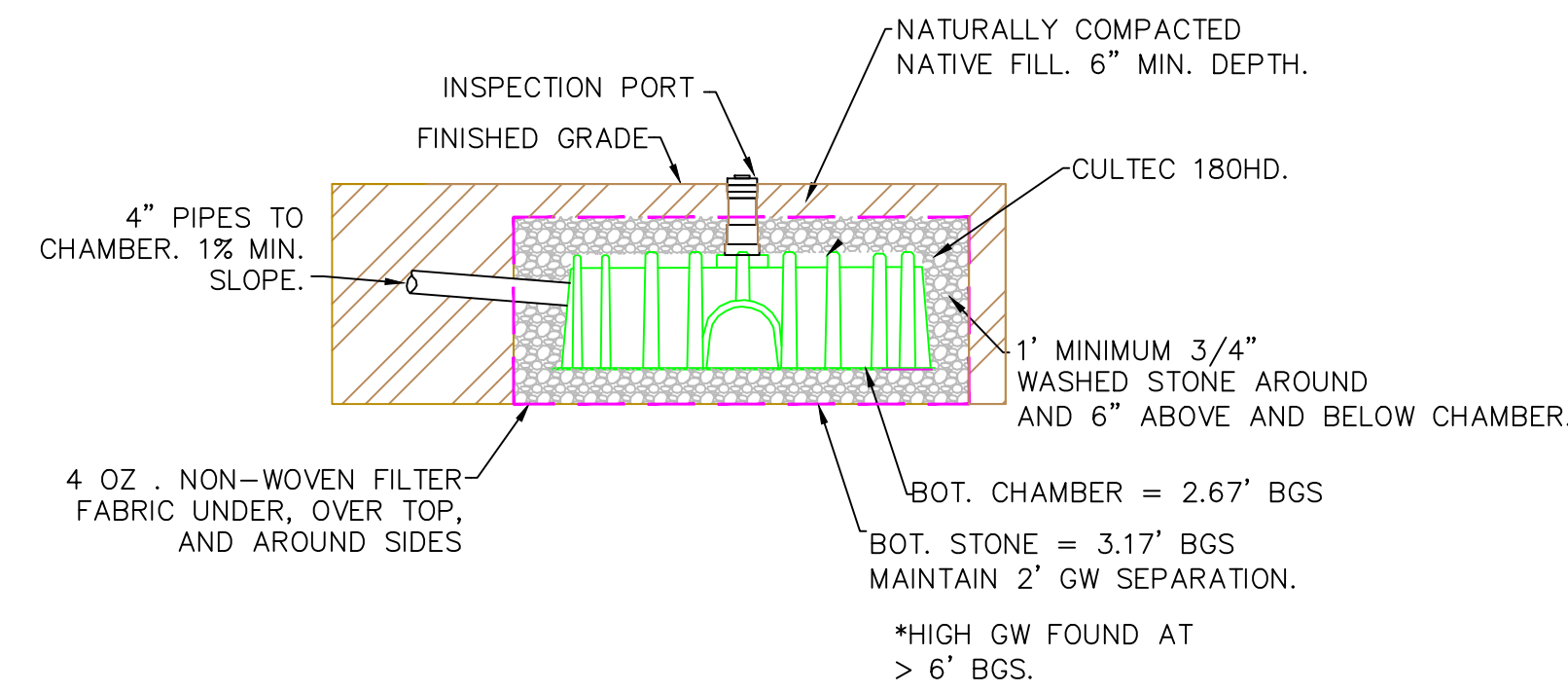
COMPOST FILTER TUBE
PLAN
NTS



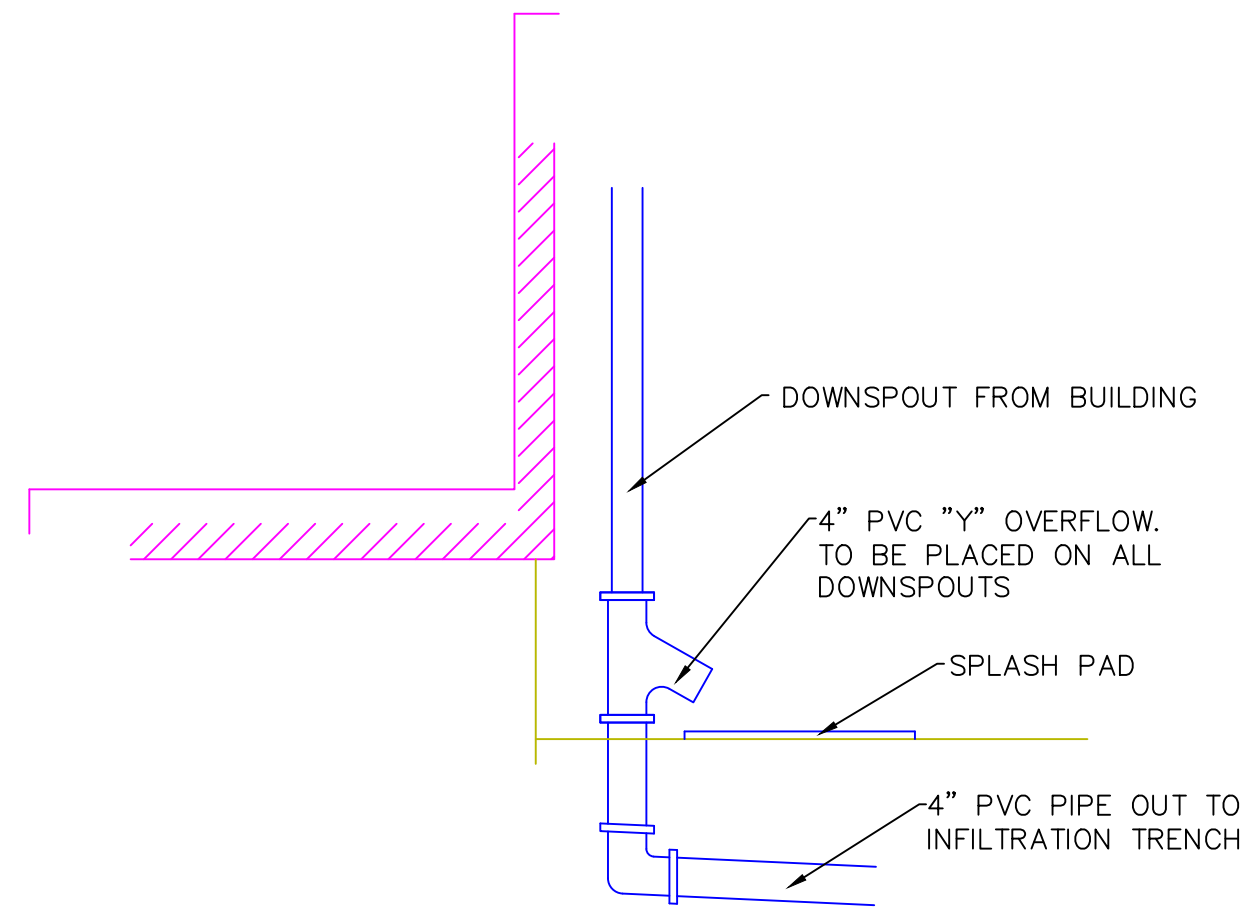
COMPOST FILTER TUBE
SECTION
NTS



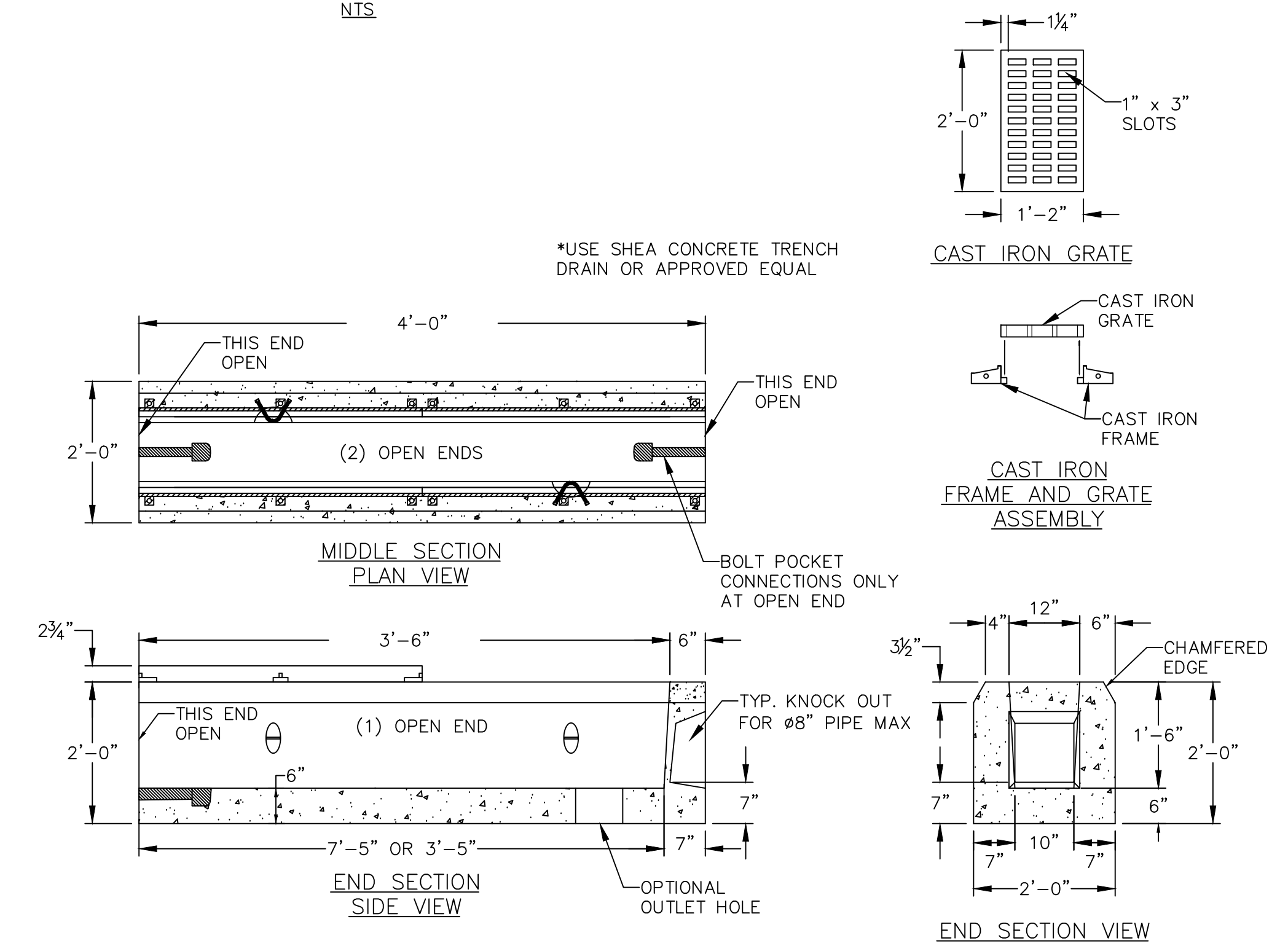
98.5 CF DRY WELL
NTS



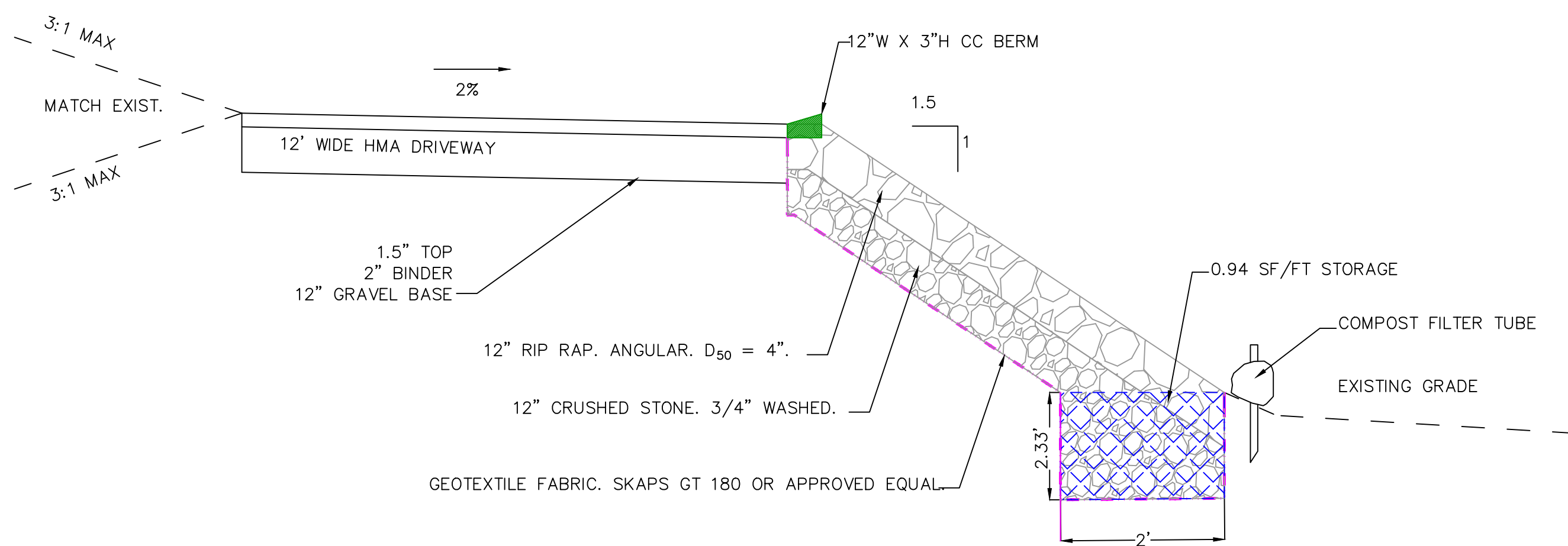
CULTEC INFILTRATION CHAMBER
VOL. = 48 CF/UNIT
PROFILE
N.T.S.



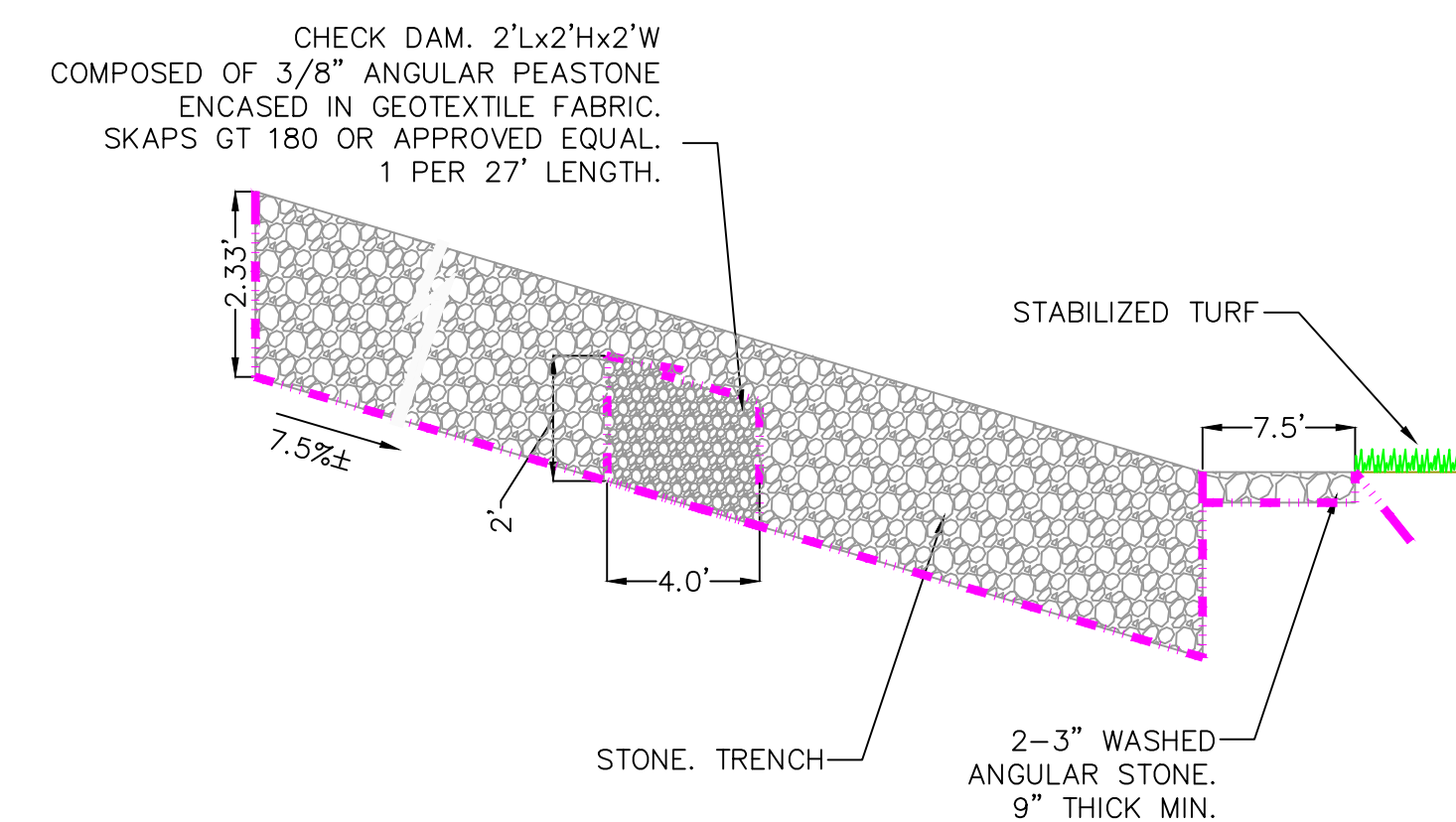
ROOF DOWNSPOUT
NTS



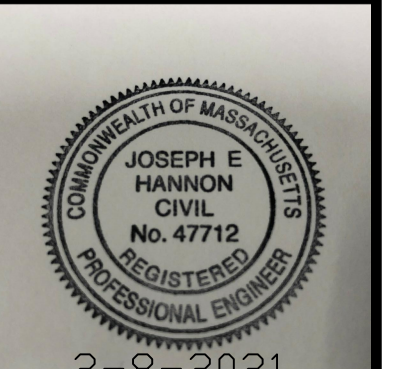
TRENCH DRAIN
NTS



RIP RAP SLOPE W/ STONE INFILTRATION TRENCH
SECTION
NTS



STONE INFILTRATION TRENCH
W/ CHECK DAM
PROFILE
NTS



ATLANTIC COAST ENGINEERING LLC
Scituate Harbor Office
88 Front St, Suite 22B
Scituate, MA 02066
(617) 963 - 6044

NO.	REV.	DATE
1		

DETAILS	
SHEET TITLE:	PLAN OF LAND
SCALE:	1"=20'-0"
DATE:	1/19/21
DRAWN BY:	AD
CHECKED BY:	JH

CLIENT/PROJECT:	PLAN OF LAND RMC DEVELOPMENT
LOCATION:	10 OCEAN LEDGE DRIVE
TOWN:	COHASSET
COUNTY:	NORFOLK
STATE:	MA.

PROJ. NO. 2020-007

C2